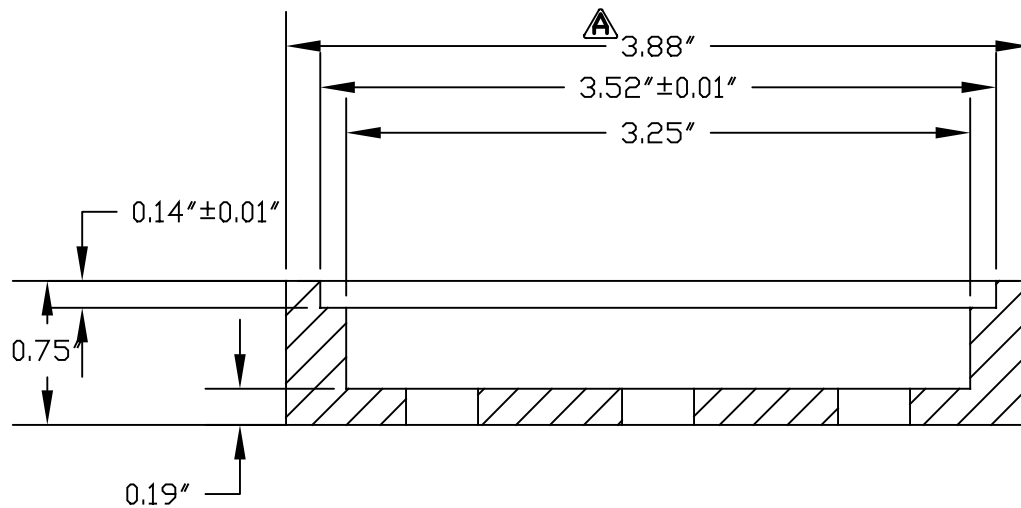
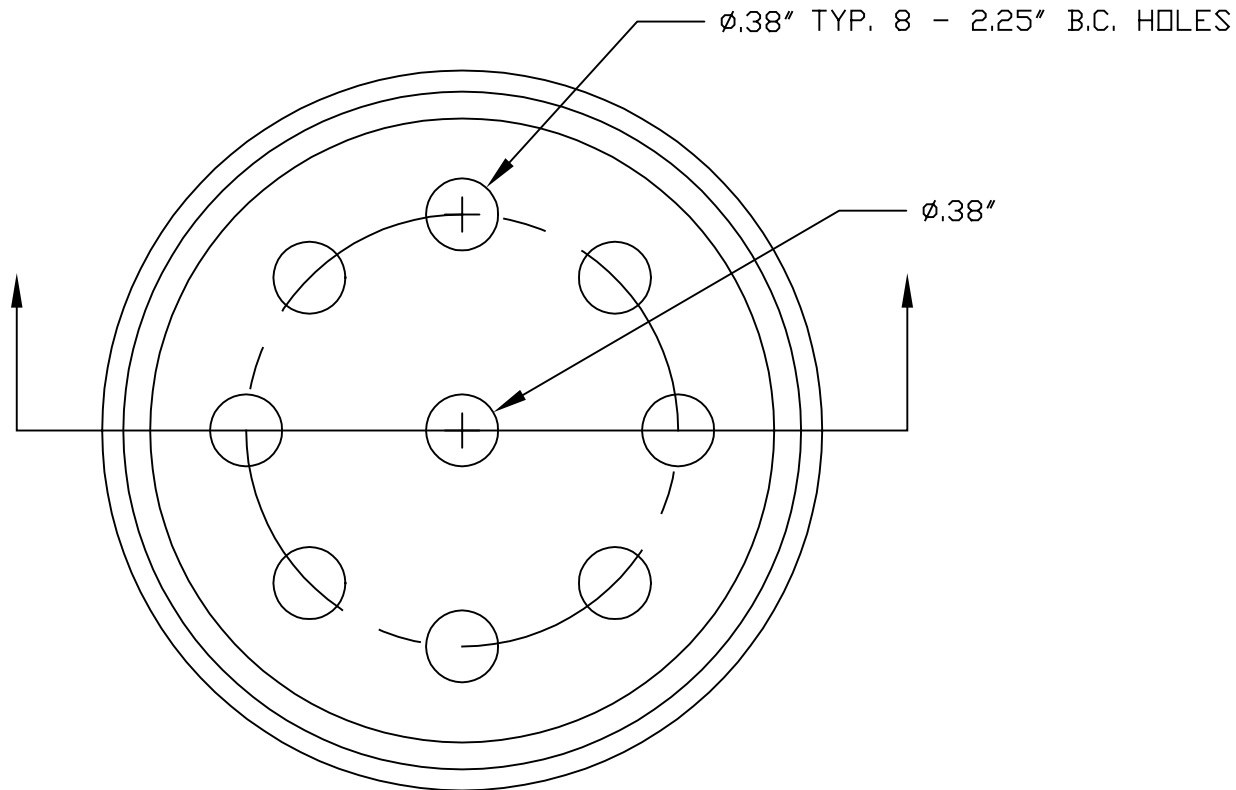


REV	Date	Description
A	01/04/02	3.75" to 3.88"



CUSTOM SAWING MEMPHIS, INDIANA	
FRICION CALL POT 3 1/2" x 3/4"	
REV. - A	JAN. 14, 2002